

WEYERHAEUSER STURDISTEP® STAIR TREADS

Combine SturdiStep® treads with TimberStrand® LSL stair stringers for a solid, stable stair system

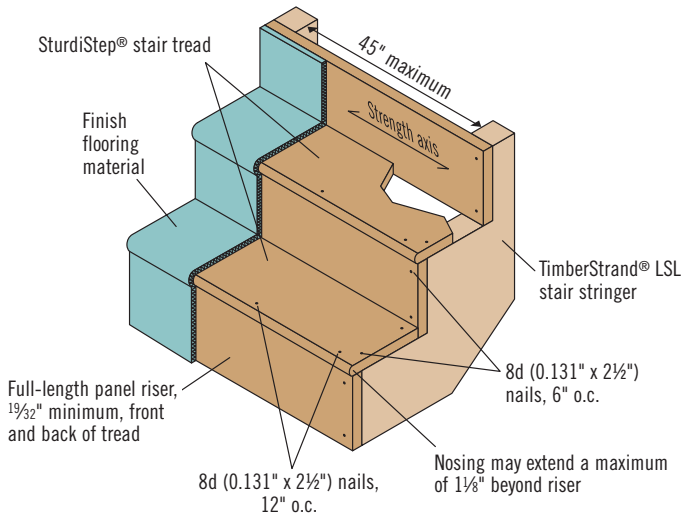
SturdiStep® stair treads are manufactured to be flat, straight, and a precise thickness — and are the only wood stair treads warranted against delamination, cupping and warping. Unlike traditional pine stair treads SturdiStep® treads are knot-free and uniform throughout, so when properly installed, they won't crack or split when nailed to the stringers.

Durable enough to withstand the demands of normal construction delays, SturdiStep® treads can be installed during the framing stage of construction, saving builders on labor and other costs associated with temporary stair treads.

Suitable for use in residential and multifamily construction, SturdiStep® treads offer precision, convenience, less waste and lower costs.

SturdiStep® stair treads offer:

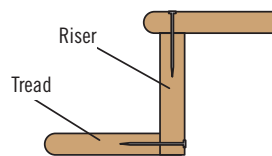
- **Sizes convenient for cutting to length at the jobsite:**
Eastern markets: 1" x 10³/₄" x 16' and 1" x 11¹/₂" x 16"
Western markets: 1" x 11¹/₂" x 12'
- **Uniform, knot-free treads that won't cup or split when properly installed**
- **Bullnosed edges that enhance appearance and save labor at the jobsite**
- **The industry's only limited warranty against cupping, warping, and splitting**



While Detail A below is the simplest method of nailing the riser to the tread and works well with 1" and thicker stair treads, Detail B is preferred as it eliminates end-grain nailing at the back of the riser.

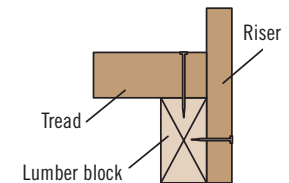
Detail A

Predrill tread end grain at mid-thickness with a 3/32" bit. Maintain at least 3/8" edge distance in riser.



Detail B (preferred)

Preferred option because it eliminates end-grain nailing at the back of the riser.



Installation notes

- Clear span between stringers shall not exceed 45" and fasteners and adhesives shall be as noted below.
- SturdiStep® stair treads must be supported at both front and back by a full-length, minimum 1⁹/₃₂" riser that is fastened with nails and structural adhesive that complies with ASTM D3498 (AFG-01) performance standards.
- The back riser must extend down flush with or past the bottom of the tread.
- Treads must be glued and nailed to the front riser with 8d (2¹/₂") finish nails, spaced a maximum of 12" on-center.
- The nosing must not extend more than 1¹/₈" beyond the riser. Be sure tread and riser dimensions (rise and run) comply with applicable code requirements.